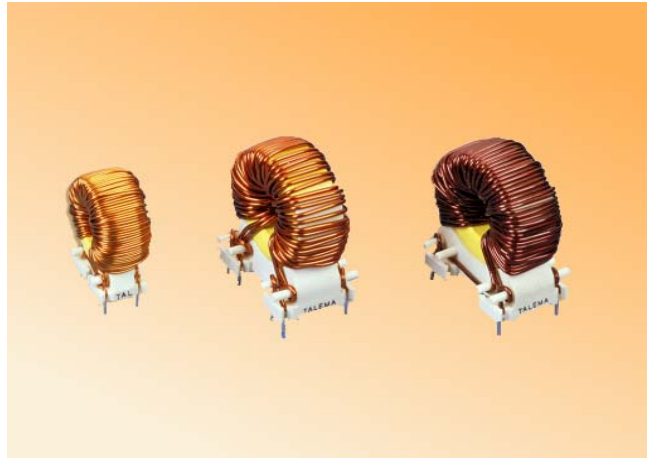


DJ Series • Low Cost Linear Storage Chokes

DJ Series Storage Chokes offer high storage capacity in a compact, low cost design. Used primarily in switched-mode power supplies where low losses are essential at high pulse frequencies.

Features

- High storage capacity (to 5000 μ Joules) in compact size
- Low losses at high pulse frequencies
- Operating frequency to 100KHz
- Low leakage
- Small mounting area due to vertical design
- Competitive pricing due to high volume production
- Manufactured in an ISO 9001:2015 and ISO 14001:2015 certified Talema facility
- Fully RoHS & REACH Compliant



Electrical Specifications @25°C

Test frequency: Inductance measured @10KHz / 0.10Vrms

Test voltage between windings: 500Vrms

Operating temperature: -40°C to +125°C

Climatic category: IEC68-1 40/125/56



| Part Number | Connection | I _{DC} Amps | L(μ H) Typ. @ rated current | L ₀ (μ H) $\pm 15\%$ no load | DCR (mOhm) Max. | Min. Energy Storage (μ Joule) | Wire \varnothing mm | Schematic | Weight per Piece |
|-------------|------------|-------------------------|-------------------------------------|--|-----------------------|--|-----------------------------|-----------|------------------------|
| DJ-500 | Series | 1.5 | 372 | 600 | 212 | 419 | 0.56 | 1 | 18 |
| | Parallel | 3.0 | 93 | 150 | 53 | 419 | 0.56 | 1 | 18 |
| DJ-501 | Series | 2.0 | 228 | 368 | 132 | 456 | 0.63 | 1 | 18 |
| | Parallel | 4.0 | 57 | 92 | 33 | 456 | 0.63 | 1 | 18 |
| DJ-502 | Series | 2.5 | 140 | 224 | 80 | 431 | 0.71 | 1 | 18 |
| | Parallel | 5.0 | 35 | 56 | 20 | 431 | 0.71 | 1 | 18 |
| DJ-503 | Series | 3.0 | 100 | 164 | 52 | 456 | 0.80 | 1 | 18 |
| | Parallel | 6.0 | 25 | 41 | 13 | 456 | 0.80 | 1 | 18 |
| DJ-504 | Series | 4.6 | 44 | 72 | 24 | 477 | 1.00 | 1 | 19 |
| | Parallel | 9.2 | 11 | 18 | 6 | 477 | 1.00 | 1 | 19 |
| DJ-1500 | Series | 2.0 | 752 | 1,428 | 180 | 1,501 | 0.80 | 1 | 56 |
| | Parallel | 4.0 | 188 | 357 | 45 | 1,501 | 0.80 | 1 | 56 |
| DJ1501 | Series | 2.5 | 468 | 892 | 124 | 1,465 | 0.85 | 1 | 54 |
| | Parallel | 5.0 | 117 | 223 | 31 | 1,465 | 0.85 | 1 | 54 |
| DJ-1502 | Series | 3.0 | 328 | 624 | 76 | 1,477 | 1.00 | 1 | 57 |
| | Parallel | 6.0 | 82 | 156 | 19 | 1,477 | 1.00 | 1 | 57 |
| DJ-1503 | Series | 4.0 | 188 | 356 | 44 | 1,501 | 1.12 | 1 | 56 |
| | Parallel | 8.0 | 47 | 89 | 11 | 1,501 | 1.12 | 1 | 56 |
| DJ-1504 | Series | 6.0 | 80 | 148 | 20 | 1,406 | 1.00 | 2 | 56 |
| | Parallel | 12.0 | 20 | 37 | 5 | 1,406 | 1.00 | 2 | 56 |
| DJ-1505 | Series | 7.5 | 48 | 96 | 12 | 1,406 | 1.12 | 2 | 56 |
| | Parallel | 15.0 | 12 | 24 | 3 | 1,406 | 1.12 | 2 | 56 |
| DJ-2500 | Series | 2.8 | 628 | 1,292 | 176 | 2,458 | 0.80 | 1 | 63 |
| | Parallel | 5.6 | 157 | 323 | 44 | 2,458 | 0.80 | 1 | 63 |
| DJ-2501 | Series | 3.5 | 404 | 832 | 112 | 2,482 | 0.90 | 1 | 63 |
| | Parallel | 7.0 | 101 | 208 | 28 | 2,482 | 0.90 | 1 | 63 |
| DJ-2502 | Series | 4.5 | 248 | 508 | 72 | 2,499 | 1.0 | 1 | 63 |
| | Parallel | 9.0 | 62 | 127 | 18 | 2,499 | 1.00 | 1 | 63 |
| DJ-2503 | Series | 6.0 | 140 | 284 | 40 | 2,499 | 1.12 | 1 | 63 |
| | Parallel | 12.0 | 35 | 71 | 10 | 2,499 | 1.12 | 1 | 63 |
| DJ-2504 | Series | 8.5 | 68 | 144 | 20 | 2,517 | 1.00 | 2 | 63 |
| | Parallel | 17.0 | 17 | 36 | 5 | 2,517 | 1.00 | 2 | 63 |
| DJ-2505 | Series | 10.5 | 48 | 96 | 12 | 2,604 | 1.12 | 2 | 64 |
| | Parallel | 21.0 | 12 | 24 | 3 | 2,604 | 1.12 | 2 | 64 |

Notes: The μ Joule rating ($\frac{1}{2}LI$)² is the ability of the inductor to store energy.

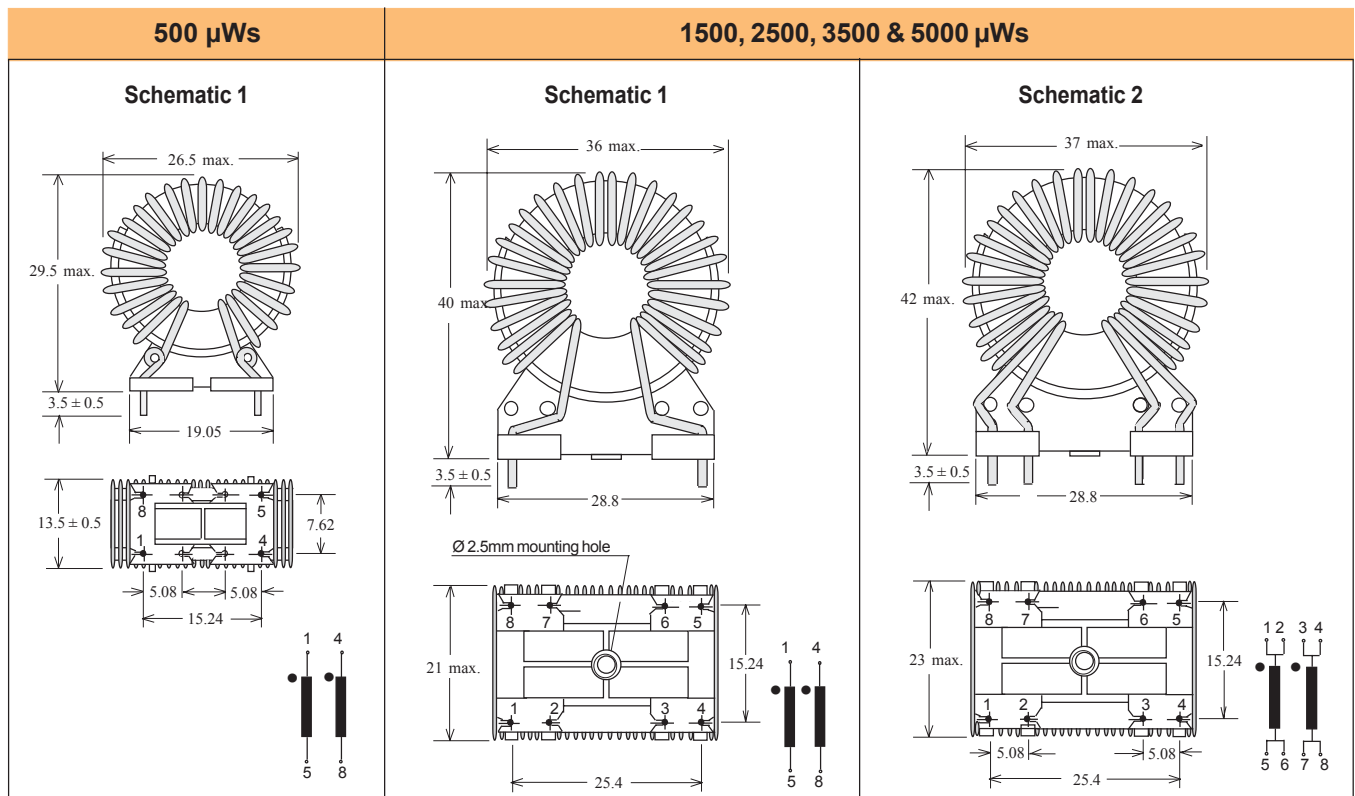
DJA Series • High Capacity Linear Storage Chokes

Storage capacity $\frac{1}{2} LI^2 \approx 3500 \text{ \& 5000 } \mu\text{Ws (}\mu\text{ Joule)}$

The DJA Series utilizes Fe-based amorphous alloy cores which provide high flux density and low core loss. These storage chokes allow you to optimize your designs by giving a highly stable inductance over a wide DC bias current range at operating frequencies to 500KHz.

| Part Number | Connection | I _{DC} Amps | L (μH) Typ. @ rated current | L ₀ (μH) ±15% no load | DCR (mOhm) Max. | Min. Energy Storage (μ Joule) | Wire Ø mm | Schematic | Weight per Piece |
|-------------|------------|----------------------|-----------------------------|----------------------------------|-----------------|-------------------------------|-----------|-----------|------------------|
| DJA-3500 | Series | 3.3 | 624 | 780 | 128 | 3,392 | 0.80 | 1 | 33 |
| | Parallel | 6.6 | 156 | 195 | 32 | 3,392 | 0.80 | 1 | 33 |
| DJA-3501 | Series | 4.0 | 420 | 524 | 92 | 3,355 | 0.85 | 1 | 33 |
| | Parallel | 8.0 | 105 | 131 | 23 | 3,355 | 0.85 | 1 | 33 |
| DJA-3502 | Series | 5.3 | 236 | 296 | 48 | 3,314 | 1.00 | 1 | 33 |
| | Parallel | 10.6 | 59 | 74 | 12 | 3,314 | 1.00 | 1 | 33 |
| DJA-3503 | Series | 6.7 | 148 | 184 | 32 | 3,319 | 1.12 | 1 | 33 |
| | Parallel | 13.4 | 37 | 46 | 8 | 3,319 | 1.12 | 1 | 33 |
| DJA-3504 | Series | 9.8 | 68 | 88 | 16 | 3,324 | 0.95 | 2 | 33 |
| | Parallel | 19.6 | 17 | 22 | 4 | 3,324 | 0.95 | 2 | 33 |
| DJA-3505 | Series | 11.6 | 50 | 62 | 12 | 3,335 | 1.06 | 2 | 33 |
| | Parallel | 23.2 | 12.5 | 15.5 | 3 | 3,335 | 1.06 | 2 | 33 |
| DJA-5000 | Series | 4.0 | 636 | 792 | 124 | 5,079 | 0.85 | 1 | 44 |
| | Parallel | 8.0 | 159 | 198 | 31 | 5,079 | 0.85 | 1 | 44 |
| DJA-5001 | Series | 5.0 | 408 | 508 | 80 | 5,079 | 0.95 | 1 | 44 |
| | Parallel | 10.0 | 102 | 127 | 20 | 5,079 | 0.95 | 1 | 44 |
| DJA-5002 | Series | 6.4 | 248 | 312 | 44 | 5,079 | 1.12 | 1 | 44 |
| | Parallel | 12.8 | 62 | 78 | 11 | 5,079 | 1.12 | 1 | 44 |
| DJA-5003 | Series | 8.4 | 144 | 180 | 26 | 5,054 | 0.90 | 2 | 44 |
| | Parallel | 16.8 | 36 | 45 | 6.5 | 5,054 | 0.90 | 2 | 44 |
| DJA-5004 | Series | 12.3 | 68 | 84 | 12 | 5,073 | 1.06 | 2 | 44 |
| | Parallel | 24.6 | 17 | 21 | 3 | 5,073 | 1.06 | 2 | 44 |
| DJA-5005 | Series | 14.5 | 48 | 60 | 10 | 5,047 | 1.12 | 2 | 44 |
| | Parallel | 29.0 | 12 | 15 | 2.5 | 5,047 | 1.12 | 2 | 44 |

Dimensions



Dimensional Tolerance - Inches ± 0.010 (mm ± 0.25)

Pin Pitch Tolerance: Inches ± 0.008 (mm ± 0.20mm)

Regional Locations - Design, Manufacturing, Sales & Marketing

Talema Group Regional Offices

North America

**United States
(Sales & Marketing)**

Talema Group, LLC
 PO Box 935
 900 Innovation Drive
 Suite 120, Rolla
 Missouri 65402
 Tel: +1 573-303-3675
 E-Mail:
 sales@talemagroup.com
 Web: www.talema.com

Asia

**India
(Design, Manufacturing, Sales & Marketing)**

Administrative Office
Talema Electronic India Private Limited
 Door No. 221, 1st and 2nd Floor
 KJ Plaza, Opp.to Vidya Mandir School
 Meyanoor Main Road
 Salem - 636 004 Tamil Nadu INDIA
 Tel: +91 427 - 243 3100
 Fax: +91 427 - 243 3109
 E-Mail: talema@talemaindia.net
 Web: www.talema.com

Factory Premises
Talema Electronic India Private Limited
 Plot Nos. 30, 31 Electrical and Electronic
 Industrial Estate
 Suramangalam
 Salem - 636 005 Tamil Nadu INDIA
 Tel: +91 427 - 243 3000
 E-Mail: talema@talemaindia.net
 Web: www.talema.com

Europe

**Germany
(Design, Sales & Marketing)**

Talema Elektronik GmbH
 Sembdnerstr. 5
 82110 Germering
 Tel: +49 89 - 841 00 - 0
 Fax: +49 89 - 841 00 25
 E-Mail: info@talema.de
 Web: www.talema.com

**Ireland
(Design, Sales & Marketing)**

Nuvotem TEO
 Units W & X, Gweedore Business Park
 Derrybeg, Letterkenny, Co. Donegal
 Tel: +353 (0) 74 95 48666
 Fax: +353 (0) 74 95 48139
 E-Mail: info@nuvotem.com
 Web: www.nuvotem.com

**Czech Republic
(Design, Manufacturing, Sales & Marketing)**

NT Magnetics s.r.o.
 Chebská 27
 322 00 Plzeň
 Tel: +420 377 - 338 351
 Fax: +420 377 - 338 350
 E-Mail: talema@talema.cz
 Web: www.ntmagnetics.cz

Locations of Talema Group Regional Offices

