

## TVH Series • Common Mode EMI Inductors

TVH Series low cost toroidal inductors designed to attenuate conductor noise (EMI) in systems

### Features

- SMD design ideal for pick and place compatibility
- Manufactured in ISO 9001:2015 and ISO 14001:2015 certified Talema facility
- Meets lead free reflow level J-STD-020C
- Fully RoHS & REACH Compliant



### Electrical Specifications @25°C

Test frequency: Inductance measured @10KHz / 10mV

Test voltage between windings: 1500Vrms

Operating temperature range: -40°C to +125°C

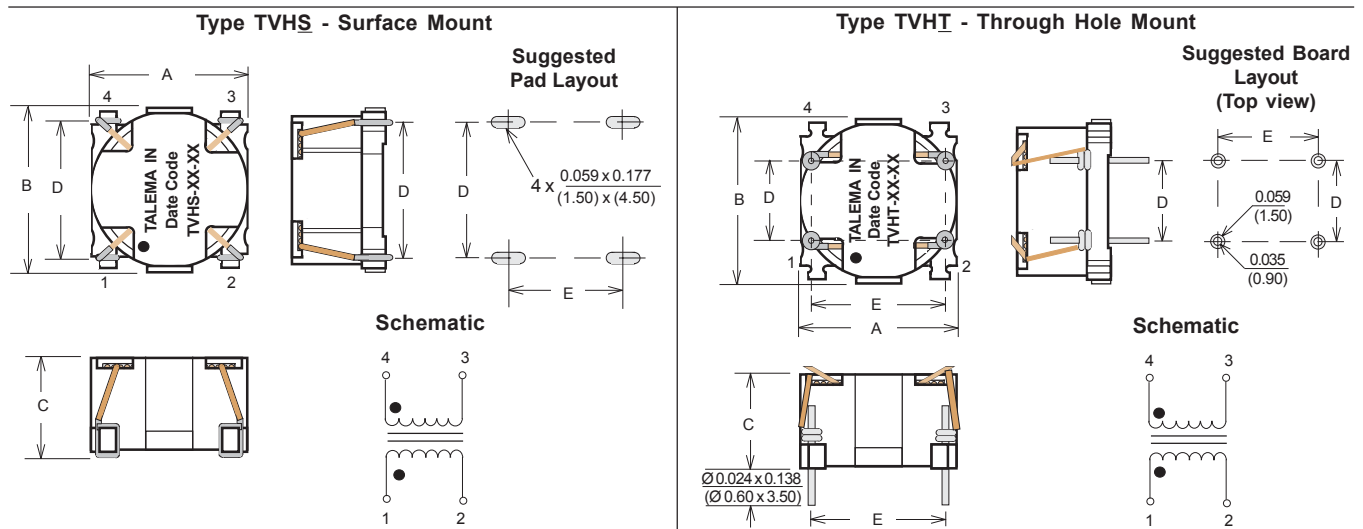
Climatic Category: IEC68-1 40/125/56

Part Number	Rated RMS Current (Amps)	L <sub>N</sub> / L <sub>O</sub> (mH ±30%)	DCR (mOhm max.)	SRF (MHz)	Vrms	Package Size	
						"S"	"T"
TVH_-3.6-102	3.60	1.0	50	4	1500	SC5	TC5
TVH_-1.5-102	1.50	1.0	60	2	1500	SC3	TC3
TVH_-2.5-302	2.50	3.0	80	2.2	1500	SC5	TC5
TVH_-1.0-103	1.00	10.0	450	0.5	1500	SC3	TC3
TVH_-0.5-223	0.50	22.0	850	0.3	1500	SC3	TC3

**Note:** When ordering, add "S" or "T" to the basic part number to denote preferred mounting style.

**Example:** TVHS-1.0-223 for SMD (or) TVHT-1.0-223 for through hole.

### Dimensions



Mounting Style	Size Code	Dimensions - Inches ±0.010 (mm±0.25)				
		A	B	C	D	E
"S" SMD	SC3	0.551 (14.00)	0.630 (16.00)	0.350 max. (8.90 max.)	0.530 (13.46)	0.340 (8.64)
	SC5	0.662 (16.82)	0.760 (19.31)	0.390 max. (9.90 max.)	0.660 (16.76)	0.445 (11.30)
"T" TH	TC3	0.551 (14.00)	0.630 (16.00)	0.327 max. (8.30 max.)	0.500 (12.70)	0.400 (10.16)
	TC5	0.662 (16.82)	0.760 (19.31)	0.362 max. (9.20 max.)	0.500 (12.70)	0.500 (12.70)

**Regional Locations - Design, Manufacturing, Sales & Marketing**

**Talema Group Regional Offices**

**North America**

**United States  
(Sales & Marketing)**

**Talema Group, LLC**  
 PO Box 935  
 900 Innovation Drive  
 Suite 120, Rolla  
 Missouri 65402  
 Tel: +1 573-303-3675  
 E-Mail:  
 sales@talemagroup.com  
 Web: www.talema.com

**Asia**

**India  
(Design, Manufacturing, Sales & Marketing)**

**Administrative Office**  
**Talema Electronic India Private Limited**  
 Door No. 221, 1st and 2nd Floor  
 KJ Plaza, Opp.to Vidya Mandir School  
 Meyanoor Main Road  
 Salem - 636 004 Tamil Nadu INDIA  
 Tel: +91 427 - 243 3100  
 Fax: +91 427 - 243 3109  
 E-Mail: talema@talemaindia.net  
 Web: www.talema.com

**Factory Premises**  
**Talema Electronic India Private Limited**  
 Plot Nos. 30, 31 Electrical and Electronic  
 Industrial Estate  
 Suramangalam  
 Salem - 636 005 Tamil Nadu INDIA  
 Tel: +91 427 - 243 3000  
 E-Mail: talema@talemaindia.net  
 Web: www.talema.com

**Europe**

**Germany  
(Design, Sales & Marketing)**

**Talema Elektronik GmbH**  
 Sembdnerstr. 5  
 82110 Germering  
 Tel: +49 89 - 841 00 - 0  
 Fax: +49 89 - 841 00 25  
 E-Mail: info@talema.de  
 Web: www.talema.com

**Ireland  
(Design, Sales & Marketing)**

**Nuvotem TEO**  
 Units W & X, Gweedore Business Park  
 Derrybeg, Letterkenny, Co. Donegal  
 Tel: +353 (0) 74 95 48666  
 Fax: +353 (0) 74 95 48139  
 E-Mail: info@nuvotem.com  
 Web: www.nuvotem.com

**Czech Republic  
(Design, Manufacturing, Sales & Marketing)**

**NT Magnetics s.r.o.**  
 Chebská 27  
 322 00 Plzeň  
 Tel: +420 377 - 338 351  
 Fax: +420 377 - 338 350  
 E-Mail: talema@talema.cz  
 Web: www.ntmagnetics.cz

**Locations of Talema Group Regional Offices**

