

HB Series • High Power Inductors

Features

- High efficiency, high stability inductors
- Robust Construction
- Class F materials
- Manufactured in ISO 9001:2015
ISO 14001:2015 certified Talema facility
- Fully RoHS & REACH Compliant

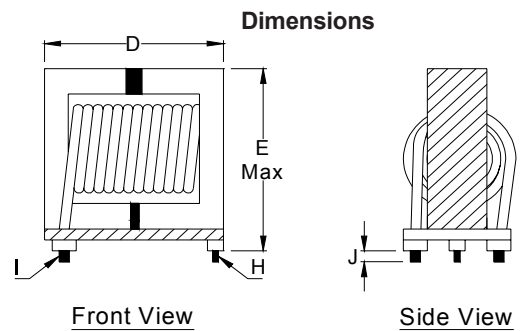
Application

- Renewable energy
- Battery charger
- Automotive

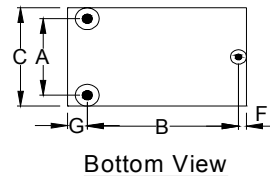


Electrical Specifications @ 25°C:

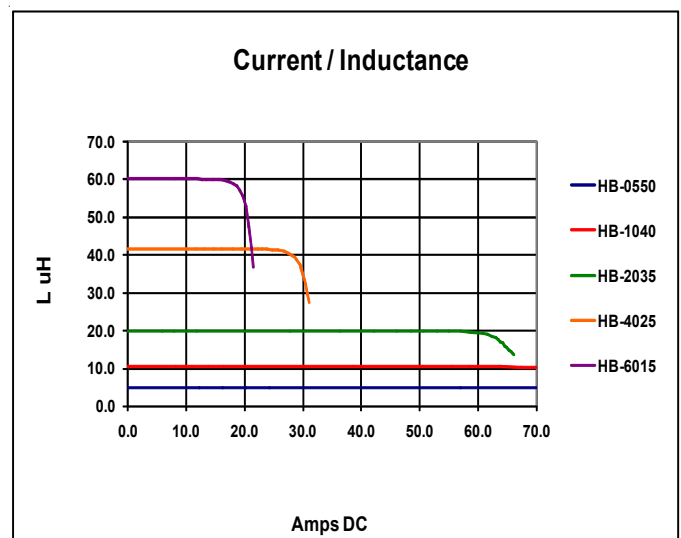
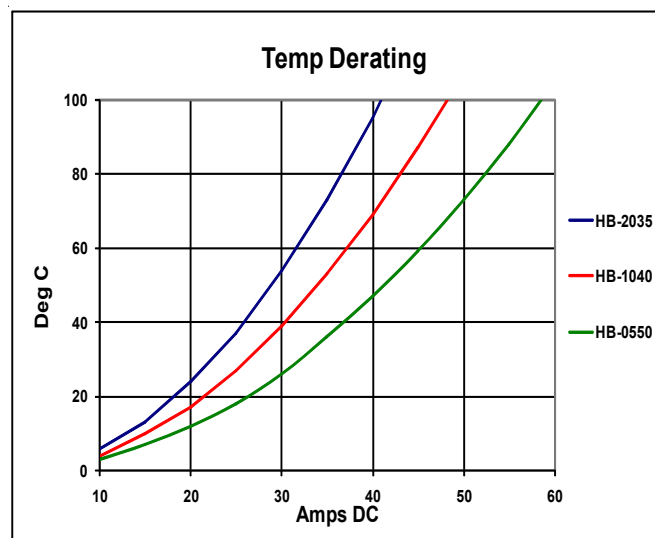
Part Number	Inductance μH $\pm 10\%$	Current Rating Amps DC	DCR (mOhm) Typical
HB-6015	60	15	5.4
HB-4025	40	25	5.4
HB-3030	30	30	5.4
HB-2035	50	35	5.4
HB-1040	10	40	3.9
HB-0550	5	50	2.7



	A	B	C	D	E	F	G	H (θ)	I (θ)	J
Dimensions in "mm"	21.0	37.0	27.0	45.5	52.0	2.0	5.0	1.30	2.50	3.2



Dimensions in : mm
Tolerance: ± 0.25
unless specified otherwise



Note:

- Temperature de-rating curves not shown for saturation limited types
- Current Vs Inductance curves are typical at 100°C

Regional Locations - Design, Manufacturing, Sales & Marketing

Talema Group Regional Offices

North America

**United States
(Sales & Marketing)**

Talema Group, LLC
 PO Box 935
 900 Innovation Drive
 Suite 120, Rolla
 Missouri 65402
 Tel: +1 573-303-3675
 E-Mail:
sales@talemagroup.com
 Web: www.talema.com

Asia

**India
(Design, Manufacturing, Sales & Marketing)**

Administrative Office
Talema Electronic India Private Limited
 Door No. 221, 1st and 2nd Floor
 KJ Plaza, Opp.to Vidya Mandir School
 Meyanoor Main Road
 Salem - 636 004 Tamil Nadu INDIA
 Tel: +91 427 - 243 3100
 Fax: +91 427 - 243 3109
 E-Mail: talema@talemaindia.net
 Web: www.talema.com

Factory Premises
Talema Electronic India Private Limited
 Plot Nos. 30, 31 Electrical and Electronic
 Industrial Estate
 Suramangalam
 Salem - 636 005 Tamil Nadu INDIA
 Tel: +91 427 - 243 3000
 E-Mail: talema@talemaindia.net
 Web: www.talema.com

Europe

**Germany
(Design, Sales & Marketing)**

Talema Elektronik GmbH
 Sembdnerstr. 5
 82110 Germering
 Tel: +49 89 - 841 00 - 0
 Fax: +49 89 - 841 00 25
 E-Mail: info@talema.de
 Web: www.talema.com

**Ireland
(Design, Sales & Marketing)**

Nuvotem TEO
 Units W & X, Gweedore Business Park
 Derrybeg, Letterkenny, Co. Donegal
 Tel: +353 (0) 74 95 48666
 Fax: +353 (0) 74 95 48139
 E-Mail: info@nuvotem.com
 Web: www.nuvotem.com

**Czech Republic
(Design, Manufacturing, Sales & Marketing)**

NT Magnetics s.r.o.
 Chebská 27
 322 00 Plzeň
 Tel: +420 377 - 338 351
 Fax: +420 377 - 338 350
 E-Mail: talema@talema.cz
 Web: www.ntmagnetics.cz

Locations of Talema Group Regional Offices

