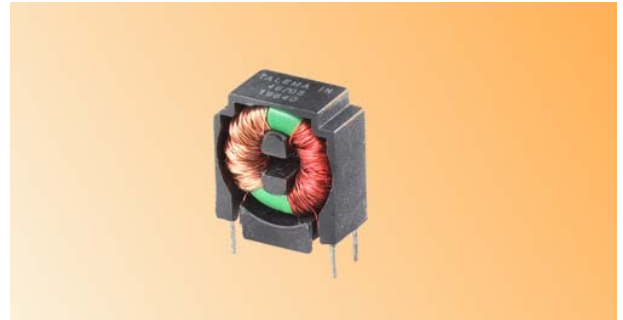


CKV Series • Current Compensated Double Chokes for Power Lines

Features

- High attenuation over a wide frequency range
- Low interwinding and coupling capacitance
- Sector Winding
- Manufactured in an ISO 9001:2015 and ISO 14001:2015 certified Talema facility
- Flame retardant case per UL94V-O
- Other inductance values available upon request
- Fully RoHS & REACH Compliant



Electrical Specifications @ 25°C

Rated Voltage: 250Vac

Rated current @ 50/60Hz and 40°C ambient

Operating Temperature: -40° to +85°C

Storage Temperature: -40° to +125°C

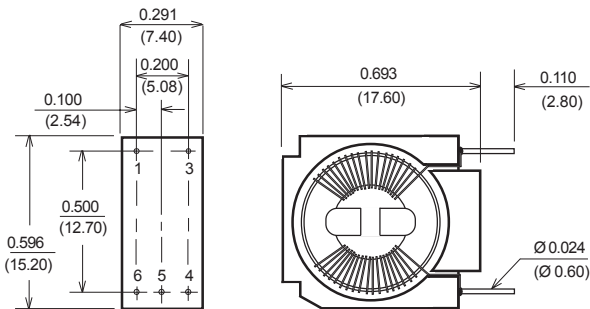
Climatic category: according to IEC68-1 40/85/56



CKV Series - Current Compensated Double Chokes for Power Lines

Part Number	L_N (μ H) -30/+50%	I_N (mA)	L_L (μ H)	R_{CU} (mOhms)	V_P (Vrms)	Windings per Core	Schematic
CKV-4.7-S	4700	700	70	440	1500	2	A or B
CKV-6.8-S	6800	600	100	630	1500	2	A or B
CKV-10-S	10000	500	150	1000	1500	2	A or B
CKV-15-S	15000	400	225	1350	1500	2	A or B
CKV-30-S	30000	300	400	2200	1500	2	A or B
CKV-47-S	47000	250	750	2400	1500	2	A or B

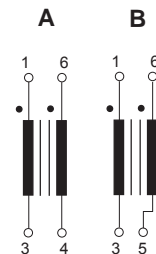
Dimensions



TALEMAIN
Part Nr.
Wk/Yr

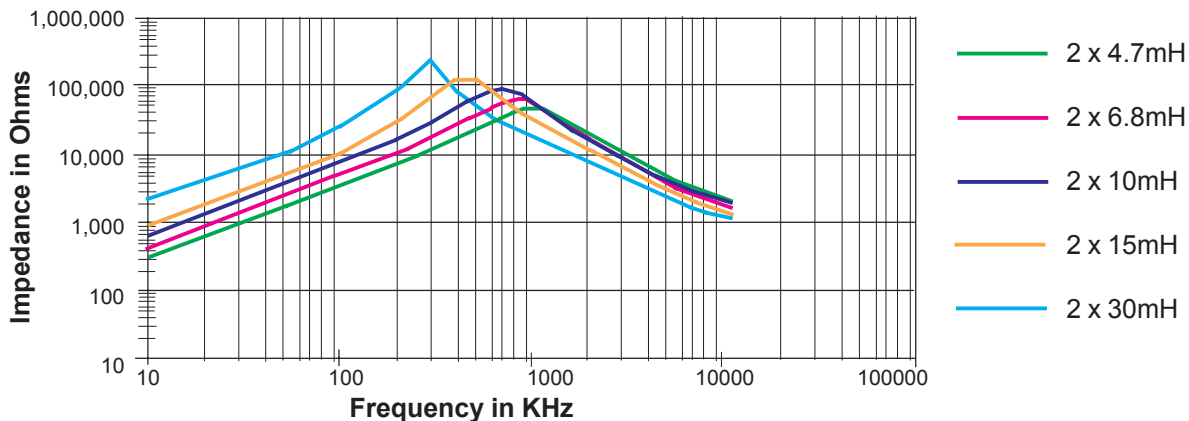
Dimensions: Inches (Millimeters)
Tolerance: ± 0.010 (0.25) unless specified otherwise

Schematic



Note: Normal pinning will be 1-3, 6-4 Schematic A. If pinning 1-3, 6-5 is required, Pls see Schematic B. Should be specified when ordering.

Impedance Performance - Sector Winding



CKV Series • Common Mode Interface Chokes for Data and Signal Lines

Features

- High attenuation over a wide frequency range
- Low interwinding and coupling capacitance
- Wide inductance range
- Manufactured in an ISO 9001:2015 and ISO 14001:2015 certified Talema facility
- Other inductance values available upon request
- Fully RoHS & REACH Compliant



Electrical Specifications @ 25°C

Nominal Voltage: 42Vac (50/60Hz), 80Vdc
 Operating Temperature: -25° to +85°C
 Storage Temperature: -40° to +125°C
 Climatic category: according to IEC68-1 25/85/56
 Test voltage between windings: 500 Vrms

Test frequency

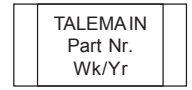
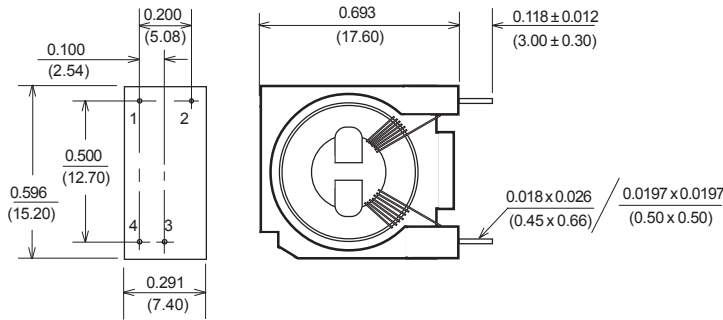
Nominal Inductance: measured @ 10KHz/100mVrms
 Leakage Inductance: measured @ 100KHz/100mVrms

CKV Series - Double Chokes for EMI noise suppression

Part Number	L_N (μ H) $\pm 30\%$	I_N (mA)	L_L (μ H)	R_{CU} (mOhms)	V_P (Vrms)	Windings per Core	Schematic
CKV-0.12	120	100	0.35	180	500	2	A
CKV-4.7	4700	100	1.00	900	500	2	A
CKV-10	10000	100	1.50	1300	500	2	A
CKV-16	16000	100	2.00	1700	500	2	A
CKV-38	38000	100	3.00	2800	500	2	A
CKV-68	68000	100	2.30	4630	500	2	A

Dimensions

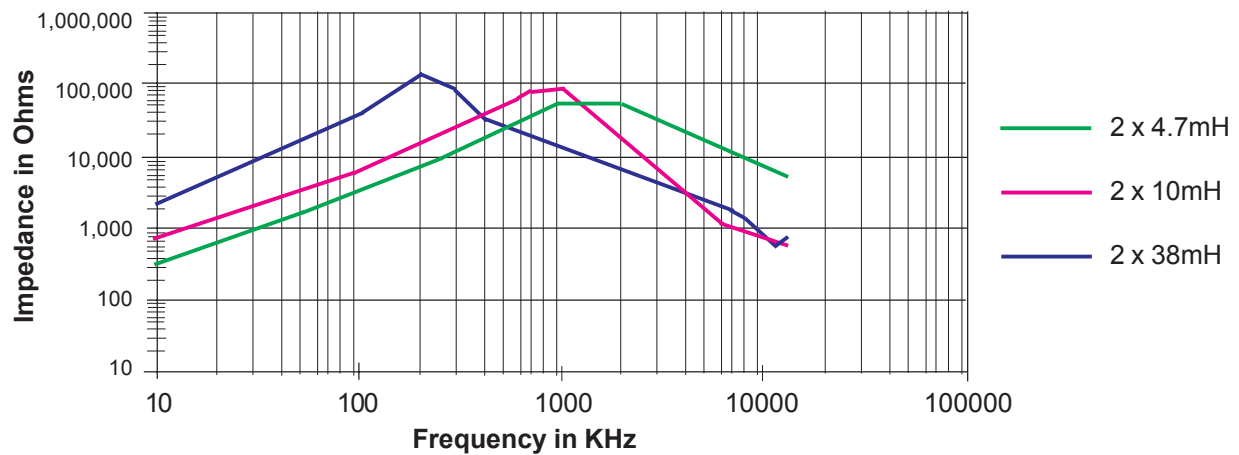
Schematic



Dimensions: Inches (Millimeters)
 Tolerance: ± 0.010 (0.25)
 unless specified otherwise



Impedance Performance - Bifilar Winding



Regional Locations - Design, Manufacturing, Sales & Marketing
Talema Group Regional Offices
North America
**United States
(Sales & Marketing)**

Talema Group, LLC
 PO Box 935
 900 Innovation Drive
 Suite 120, Rolla
 Missouri 65402
 Tel: +1 573-303-3675
 E-Mail:
sales@talemagroup.com
 Web: www.talema.com

Administrative Office
Talema Electronic India Private Limited
 Door No. 221, 1st and 2nd Floor
 KJ Plaza, Opp.to Vidya Mandir School
 Meyanoor Main Road
 Salem - 636 004 Tamil Nadu INDIA
 Tel: +91 427 - 243 3100
 Fax: +91 427 - 243 3109
 E-Mail: talema@talemaindia.net
 Web: www.talema.com

Asia
**India
(Design, Manufacturing, Sales & Marketing)**

Factory Premises
Talema Electronic India Private Limited
 Plot Nos. 30, 31 Electrical and Electronic
 Industrial Estate
 Suramangalam
 Salem - 636 005 Tamil Nadu INDIA
 Tel: +91 427 - 243 3000
 E-Mail: talema@talemaindia.net
 Web: www.talema.com

Europe
**Germany
(Design, Sales & Marketing)**

Talema Elektronik GmbH
 Sembdnerstr. 5
 82110 Germering
 Tel: +49 89 - 841 00 - 0
 Fax: +49 89 - 841 00 25
 E-Mail: info@talema.de
 Web: www.talema.com

**Ireland
(Design, Sales & Marketing)**

Nuvotem TEO
 Units W & X, Gweedore Business Park
 Derrybeg, Letterkenny, Co. Donegal
 Tel: +353 (0) 74 95 48666
 Fax: +353 (0) 74 95 48139
 E-Mail: info@nuvotem.com
 Web: www.nuvotem.com

**Czech Republic
(Design, Manufacturing, Sales & Marketing)**

NT Magnetics s.r.o.
 Chebská 27
 322 00 Plzeň
 Tel: +420 377 - 338 351
 Fax: +420 377 - 338 350
 E-Mail: talema@talema.cz
 Web: www.ntmagnetics.cz

Locations of Talema Group Regional Offices
