



# CKV Series • Current Compensated Double Chokes for Power Lines

### Features

- High attenuation over a wide frequency range
- Low interwinding and coupling capacitance
- Sector Winding
- Manufactured in an ISO-9001:2008, TS-16949:2002 and ISO-14001:2004 certified Talema facility
- Flame retardant case per UL94V-O
- Other inductance values available upon request
- fully RoHS compliant

### Electrical Specifications @ 25°C

Rated Voltage: 250Vac  
 Rated current @ 50/60Hz and 40°C ambient  
 Operating Temperature: -40° to +85°C  
 Storage Temperature: -40° to +125°C  
 Climatic category: according to IEC68-1 40/85/56

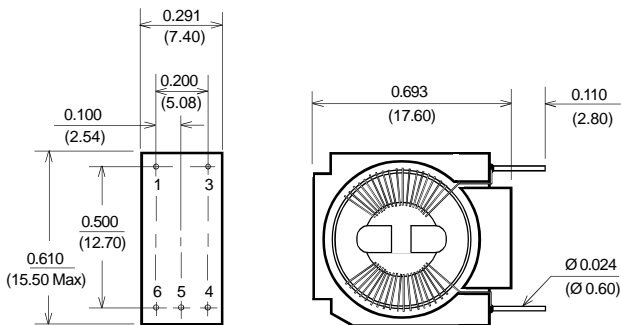


Test voltage: 1500 Vac, 2s line to line  
 Test Equipment: HP4192A

Weight: ~ 3 grams

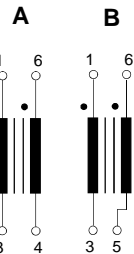
## CKV Series - Current Compensated Double Chokes for Power Lines

Part Number	$L_N$ ( $\mu$ H) -30/+50%	$I_N$ (mA)	$L_L$ ( $\mu$ H)	$R_{CU}$ (mOhms)	$V_P$ (Vrms)	Windings per Core	Schematic
CKV-4.7-S	4700	700	70	870	1500	2	A or B
CKV-6.8-S	6800	600	100	1000	1500	2	A or B
CKV-10-S	10000	500	150	1300	1500	2	A or B
CKV-15-S	15000	400	225	1500	1500	2	A or B
CKV-30-S	30000	300	400	2700	1500	2	A or B
CKV-47-S	47000	250	750	3300	1500	2	A or B



TALEMA IN  
 Part Nr.  
 Wk/Yr

### Schematic



**Note:** Normal pinning will be 1-3,6-4 Schematic A. If pinning 1-3,6-5 is required, Schematic B should be specified when ordering.

Dimensions: Inches (Millimeters)  
 Tolerance:  $\pm 0.010$  (0.25) unless specified otherwise

### Impedance Performance Sector Winding

